



STANDARD CAPACITY(kg):

NTEP: 50, 75, 100, 150, 200, 250, 300, 500

NON-NTEP: 635, 1000

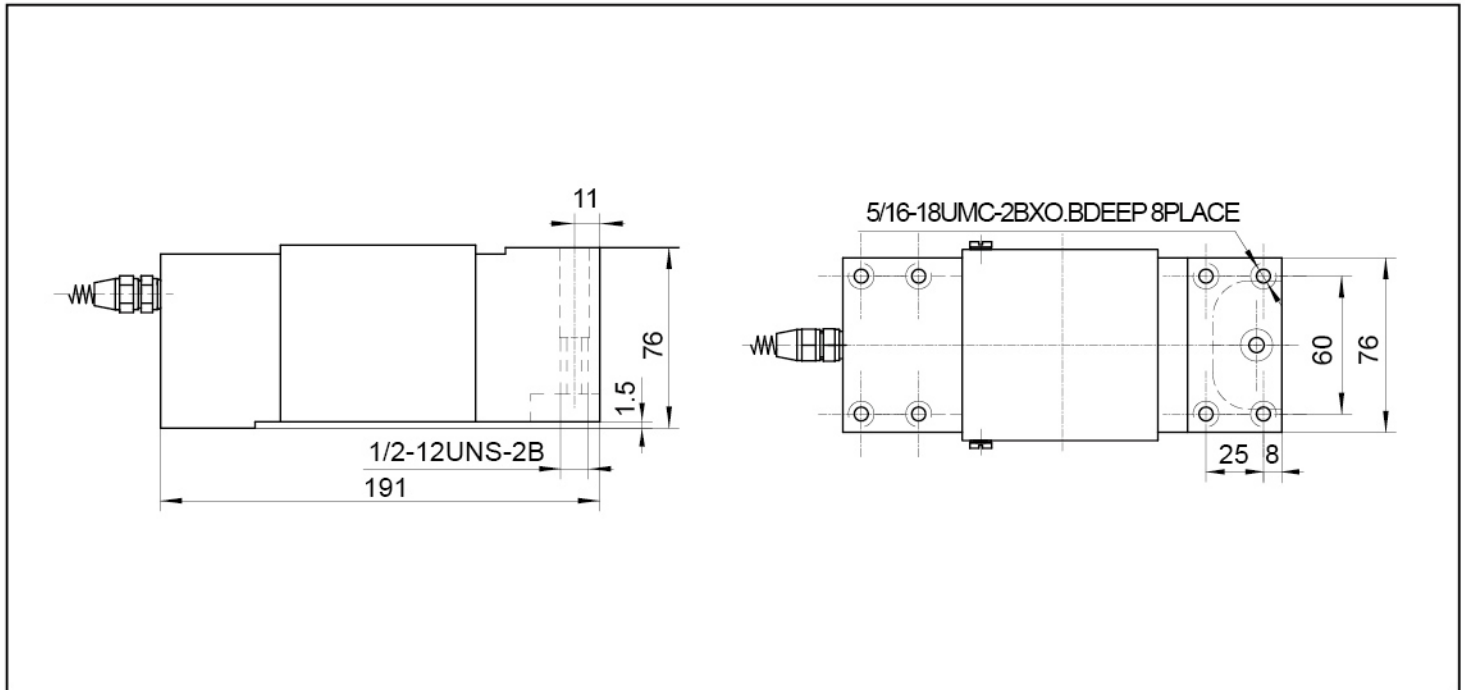
RECOMMENDED MAXIMUM PLATFORM SIZE:

750mmX750mm

INTERCHANGEABLE PRODUCTS:

Rice Lake Weighing Systems	RL1250	Tedea-Huntleigh.....	1250
Revere.....	652	Flintec	PCB
Celtron	LOC	HBM.....	PW12
Sensortronic.....	60060	Artech	60410

● Main Dimensions and Accessories



● Specifications

Rated output	2.0mV/V±10%	Zero balance	±1%F·S
Accuracy class	0.03 C3	Input resistance	400±15Ω
Non-linearity	0.03%F·S	Output resistance	350±3Ω
Hysteretic	0.03%F·S	Safe overload	150%F·S
Non-repeatability	0.02%F·S	Ultimate overload	300%F·S
Creep in 30 minutes	0.03%F·S	Excitation voltage	10VAC/DC
Temperature effect span	15 PPM /°C of Applied Load	Maximum excitation voltage	15VAC/DC
Temperature effect zero	26 PPM /°C of Applied Load	Insulation resistance	>5000MΩ(50V DC)
Compensated temperature range	-10°C~40°C	Environmental protection	IP67
Operating temperature range	-40°C~65°C	Material	Aluminum

Cable color code RED (+Input) GREEN (+Output) BLACK (-Input) WHITE (-Output)
 4 COLOR SHIELD CABLE 10FT (3m)

All specifications are a maximum as a%(±) of full load,otherwise stated.